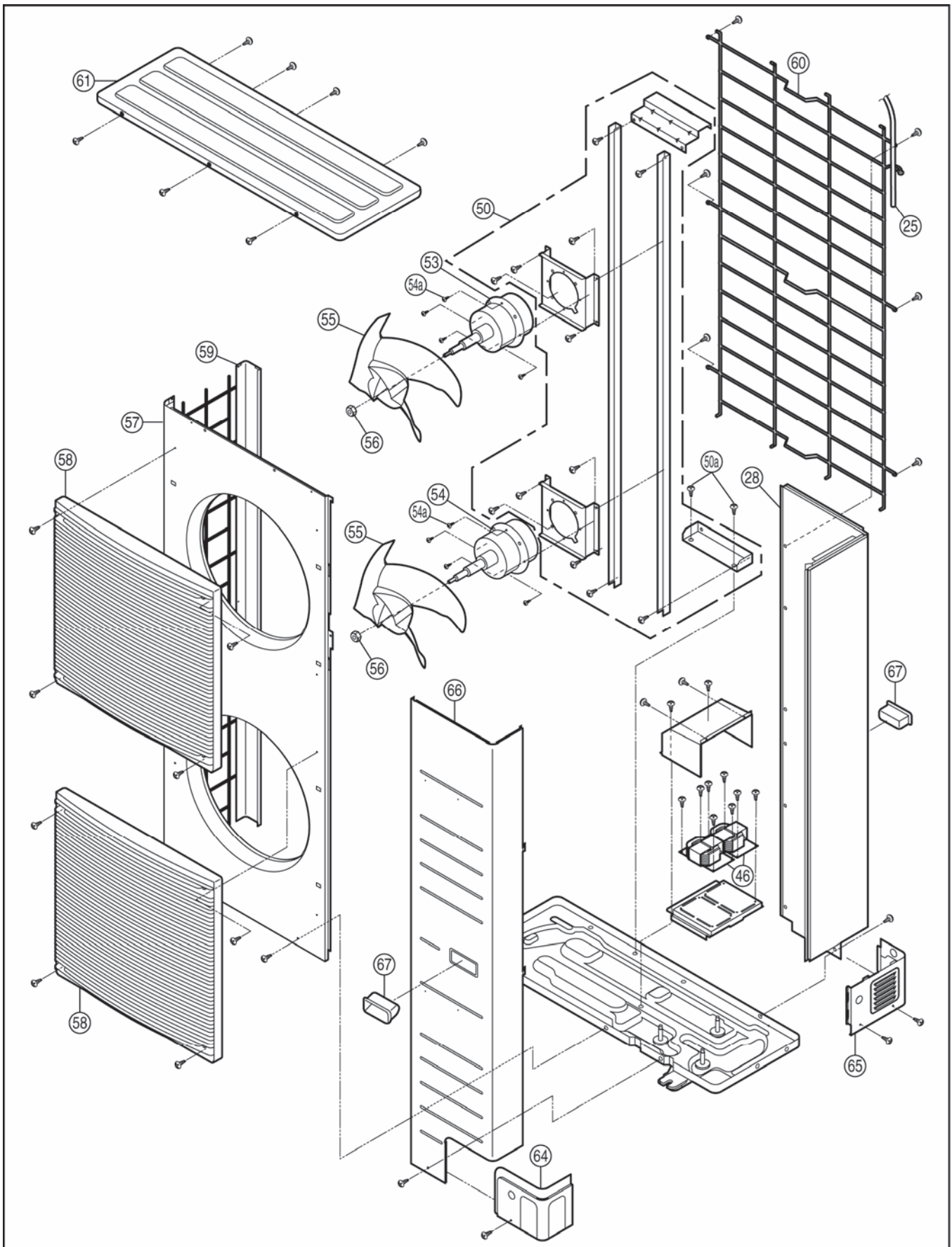
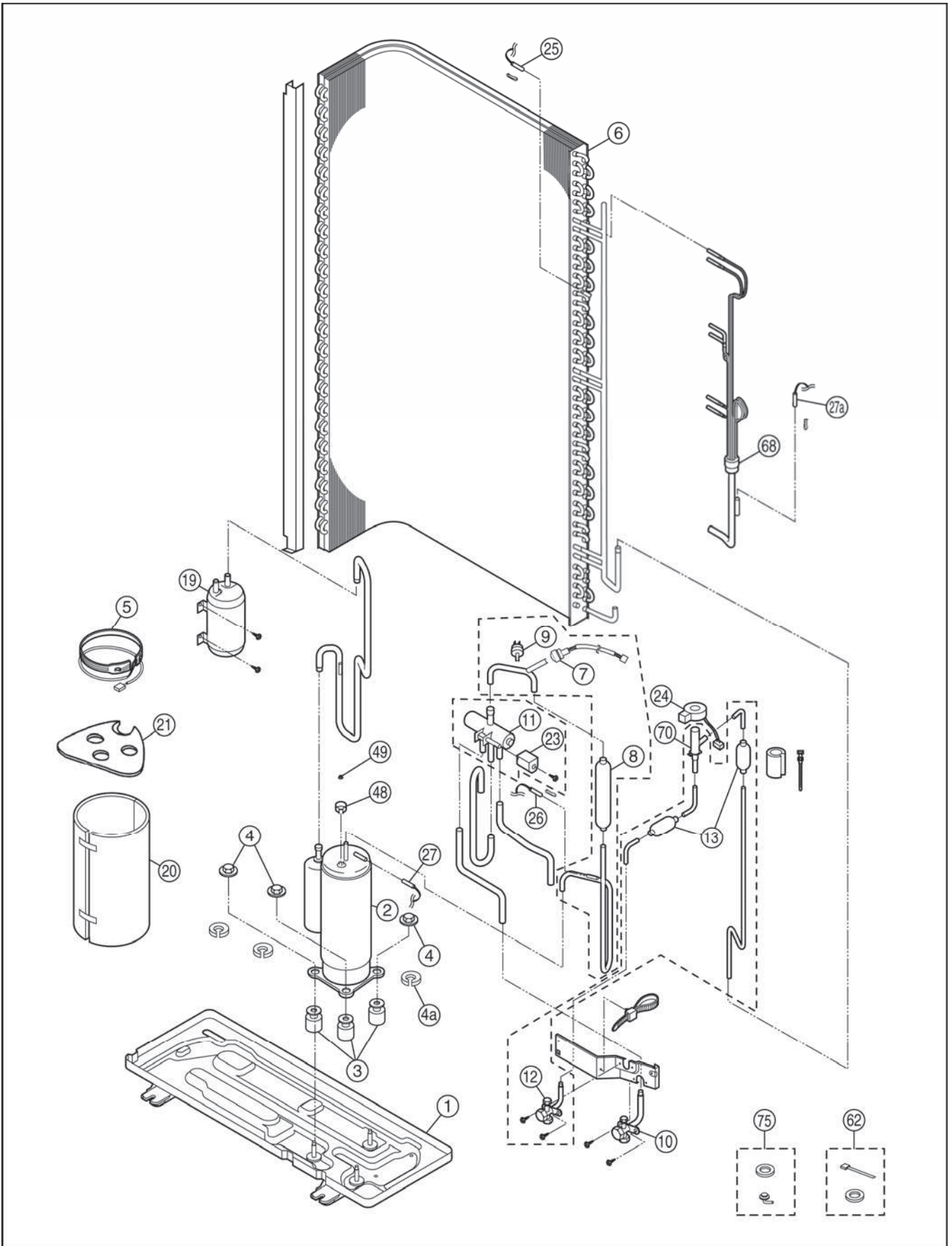
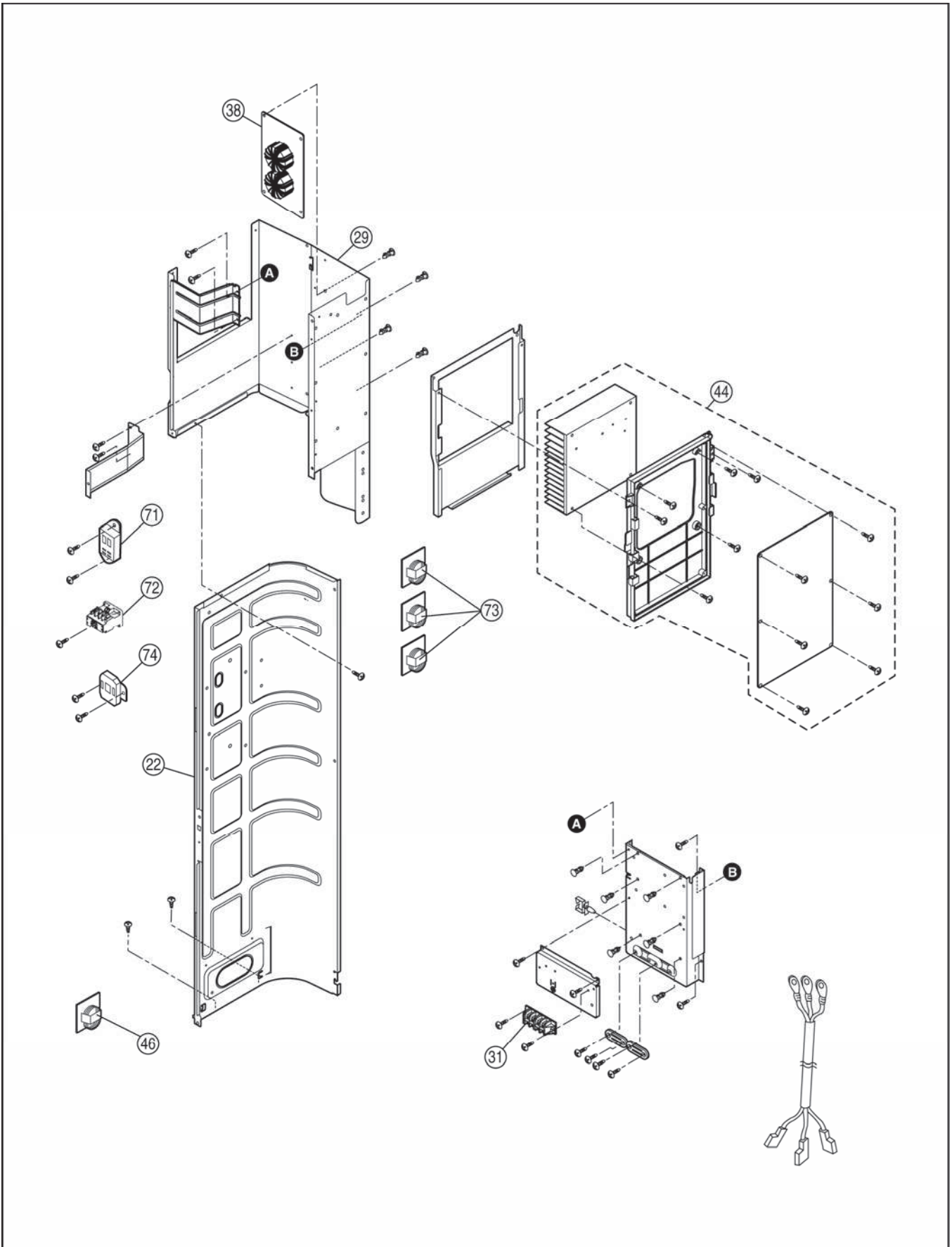


**19.2 WH-UD09CE8 WH-UD12CE8 WH-UD14CE8 WH-UD16CE8
(WH-UD09CE8-1 WH-UD12CE8-1 WH-UD14CE8-1 WH-UD16CE8-1)**







Note:

- The above exploded view is for the purpose of parts disassembly and replacement.
- The non-numbered parts are not kept as standard service parts.

<Model: WH-UD09CE8 WH-UD12CE8 WH-UD14CE8 WH-UD16CE8
(WH-UD09CE8-1 WH-UD12CE8-1 WH-UD14CE8-1 WH-UD16CE8-1)>

REF. NO.	DESCRIPTION & NAME	QTY.	WH-UD09CE8 (WH-UD09CE8-1)	WH-UD12CE8 (WH-UD12CE8-1)	WH-UD14CE8 (WH-UD14CE8-1)	WH-UD16CE8 (WH-UD16CE8-1)	REMARKS
1	BASE PAN ASS'Y	1	CWD52K1275	←	←	←	
2	COMPRESSOR	1	5JD420XBA22	←	←	←	O
3	BUSHING - COMPRESSOR MOUNT	3	CWH50055	←	←	←	
4	NUT-COMPRESSOR MOUNT	3	CWH561049	←	←	←	
4a	GASKET FOR TERMINAL COVER	3	CWB811017	←	←	←	
5	CRANKCASE HEATER	1	CWA341053	←	←	←	
6	CONDENSER COMPLETE	1	CWB32C2983	←	←	←	
7	HIGH PRESSURE SENSOR	1	CWA50C2570	←	←	←	O
8	DISCHARGE MUFFLER	1	CWB121014	←	←	←	
9	PRESSURE SWITCH	1	CWA101013	←	←	←	
10	3-WAYS VALVE (GAS)	1	CWB011251	←	←	←	
11	4-WAYS VALVE	1	CWB001046	←	←	←	
12	3-WAYS VALVE (LIQUID)	1	CWB011292	←	←	←	
13	STRAINER	2	CWB111032	←	←	←	
19	ACCUMULATOR	1	CWB131026A	←	←	←	
20	SOUND PROOF MATERIAL	1	CWG302265	←	←	←	
21	SOUND PROOF MATERIAL	1	CWG302266	←	←	←	
22	SOUND PROOF BOARD	1	CWH15K1031	←	←	←	
23	V-COIL COMPLETE - 4-WAYS VALVE	1	CWA43C2169J	←	←	←	O
24	V-COIL COMPLETE - EXP.VALVE	1	CWA43C2385	←	←	←	O
25	SENSOR-COMP. TEMP./COIL	1	CWA50C2730	←	←	←	O
26	SENSOR-COMP. DISCHARGE	1	CWA50C2576	←	←	←	O
27	SENSOR-COMPLETE (TOP)	1	CWA50C2629	←	←	←	O
27a	SENSOR-COMP. DEF	1	CWA50C2577	←	←	←	O
28	CABINET REAR PLATE-COMPLETE	1	CWE02C1059	←	←	←	
29	CONTROL BOARD CASING	1	CWH10K1049	←	←	←	
31	TERMINAL BOARD ASS'Y	1	CWA28K1214	←	←	←	O
38	ELECTRONIC CONTROLLER-NF	1	CWA745822	←	←	←	O
44	ELECTRONIC CONTROLLER (MAIN)	1	CWA73C6773R	CWA73C6774R	CWA73C6775R	CWA73C6776R	O
46	REACTOR	3	G0C293J00001	←	←	←	O
48	TERMINAL COVER	1	CWH171039A	←	←	←	
49	NUT-TERMINAL COVER	1	CWH7080300J	←	←	←	
50	FAN MOTOR BRACKET	1	CWD54K1024	←	←	←	
50a	SCREW-FAN MOTOR BRACKET	8	CWH551040J	←	←	←	
53	FAN MOTOR (UPPER)	1	EHDS83CAC	←	←	←	O
54	FAN MOTOR (LOWER)	1	EHDS83DAC	←	←	←	O
54a	SCREW-FAN MOTOR MOUNT	8	CWH551323	←	←	←	
55	PROPELLER FAN ASSY	2	CWH00K1006	←	←	←	
56	NUT	2	CWH561092	←	←	←	
57	CABINET FRONT PLATE	1	CWE061098A	←	←	←	
58	DISCHARGE GRILLE	2	CWE201073	←	←	←	
59	CABINET SIDE PLATE ASSY	1	CWE04K1023A	←	←	←	
60	WIRE NET	1	CWD041103A	←	←	←	
61	CABINET TOP PLATE CO.	1	CWE03C1096	←	←	←	
62	ACCESSORY-COMPLETE	1	CWH82C1535	←	←	←	
64	PIPE COVER (FRONT)	1	CWD601074A	←	←	←	
65	PIPE COVER (BACK)	1	CWD601075A	←	←	←	
66	CABINET FRONT PLATE CO.	1	CWE06C1091	←	←	←	
67	HANDLE	2	CWE161008	←	←	←	
68	TUBE ASSY (CAP.TUBE)	1	CWT07K1541	←	←	←	

REF. NO.	DESCRIPTION & NAME	QTY.	WH-UD09CE8 (WH-UD09CE8-1)	WH-UD12CE8 (WH-UD12CE8-1)	WH-UD14CE8 (WH-UD14CE8-1)	WH-UD16CE8 (WH-UD16CE8-1)	REMARKS
70	EXPANSION VALVE	1	CWB051028	←	←	←	
71	ELECTRO MAGNETIC SWITCH	1	K6C2AGA00002	←	←	←	O
72	ELECTRO MAGNETIC SWITCH	1	K6C4E8A00001	←	←	←	O
73	REACTOR	1	G0C153J00009	←	←	←	O
74	PTC THERMISTORS	1	D4DDG1010001	←	←	←	O
75	ACCESSORY CO.(DRAIN ELBOW)	1	CWG87C2030	←	←	←	

(Note)

- All parts are supplied from PAPAMY, Malaysia (Vendor Code: 00029488).
- “O” marked parts are recommended to be kept in stock.